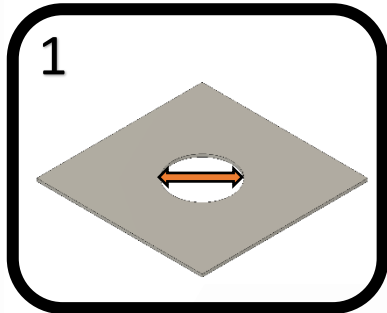


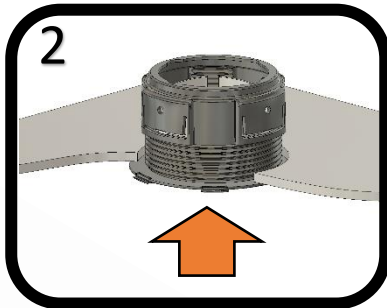
RAPID BRACKET® – VOID DETECTOR HOLDER

INSTALLATION INSTRUCTIONS

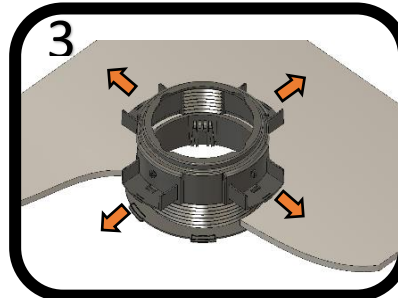
Visit www.rapidbracket.com or scan the QR code to view the detailed installation video



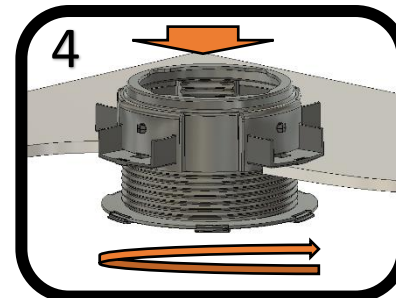
1. Cut a 165mm hole



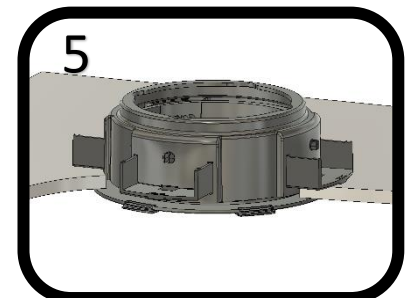
2. Insert the Rapid Bracket® into the ceiling



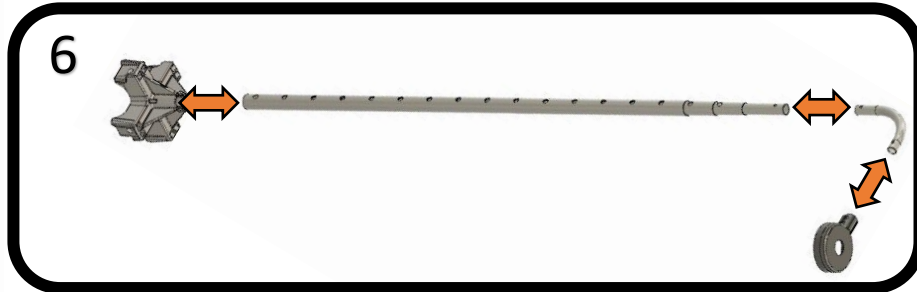
3. Push clips out until they CLICK into place



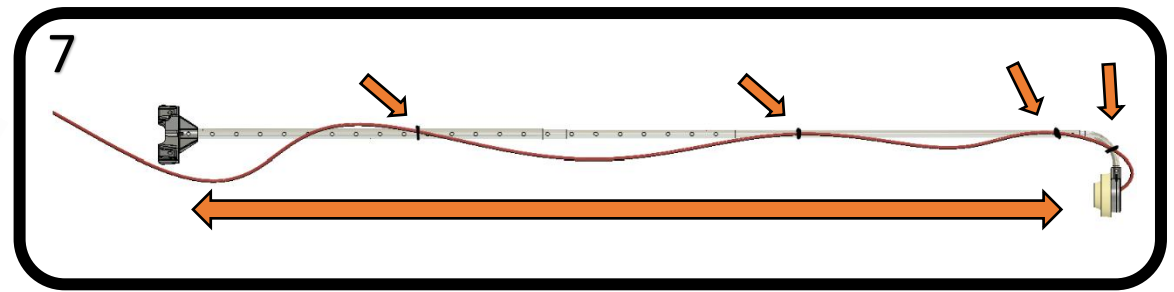
4. Seat the bracket into the hole and tighten



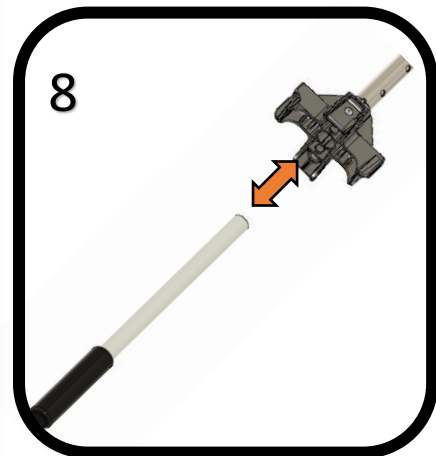
5. Complete



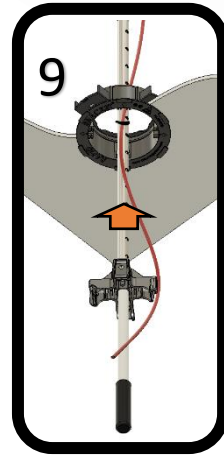
6. Insert Tubes into the Tube holder, the Bend Piece and Detector Holder



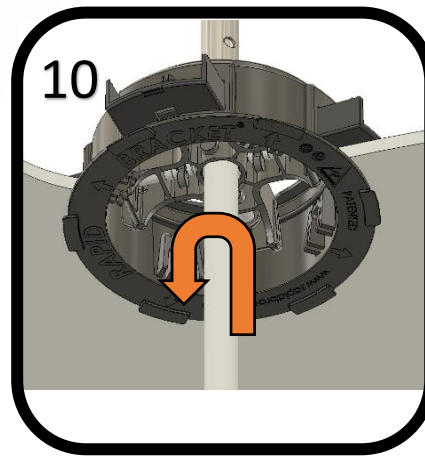
7. Extend Tubes to desired length. Then, cable tie your cables to the Tubes and fit off your Device



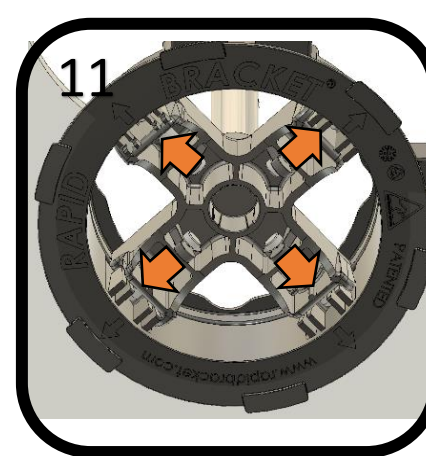
8. Use the Assistance Handle to assist with balance.



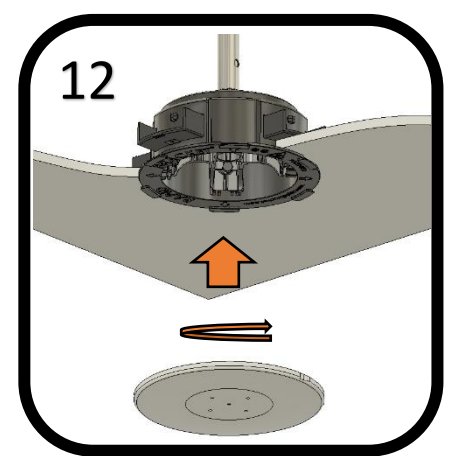
9. Insert through hole



10. Push up, twist and sit down over wedges



11. Push out 4x Locking pins



12. Clip on lanyard and twist on faceplate